

CONTENTS

Safety Precautions	2
TV Set switched off	2
Measurements	2
PERI-TV SOCKET	2
SCART 1, SCART 2	2
INTRODUCTION	2
SWITCH-MODE POWER SUPPLY (TDA 16846)	3
IF PART (TDA 4470/72)	3-4
TUNER	4-5
SAW FILTERS	5
DIGITAL TV SOUND PROCESSING (MSP 3410D)	5-6
DOLBY PRO LOGIC PROCESSOR IC (DPL 3519A)	6-7
HEADPHONE OUTPUT (TDA 1308)	7
VIDEO OUTPUT (TDA 7265)	7-8
VIDEO INPUT AND OUTPUT SOURCE SWITCHING (TEA 6415)	8
VIDEO OUTPUT AMPLIFIER STAGE (TDA 6111Q)	8-9
VERTICAL OUTPUT STAGE (TDA 9379FA)	9
TTEXT CONTROLLER (SDA 5550M)	9-10
SERIAL ACCESS 32K EEPROM (24L32-W)	10-11
EPROM (M27W401)	11
100Hz FEATURE BOX	11
VPC32X5 (VIDEO PROESSOR)	11
CIP3250	12-13
SDA9400	13-14-15
DDP3310	15-16
AK41 CHASSIS MANUAL ADJUSTMENTS PROCEDURE	17
PRELIMINARY	17
SYSTEM VOLTAGE AJUSTMENT	17
AFC ADJUSTMENT	17
FOCUS ADJUSTMENT	17
SCREEN ADJUSTMENT	17
IF ADJUSTMENT FOR L'MODE	17
AK41 CHASSIS PRODUCTION MODE ADJUSTMENTS PROCEDURE	18
PRELIMINARY	18
HORIZONTAL AND VERTICAL GEOMETRY ALIGNMENTS	18
V-SHIFT	18
V-SIZE	18
H-SHIFT	18
H-SIZE	18
S-COR	18
LINRT	18
ANGLE	18
BOW	18
TRPEZ	18
PARAB	18
U.COR	19
L.COR	19
VIDEO ALIGNMENTS	19
RGn, GGn, BGn, :WHITE BALANCE ADJUSTMENT	19
RRf, GRf, BRf	19
YDF	19
AGC	19
TLAN	19
APS	19
T_T	19
T_P	19
EXT3	19
CLT	19
SERVICE ALIGNMENTS	20
IMPORTANT	20
ADJUSTMENTS GROUOP	20
OPTIONS GROUP	20
SYSTEM GROUP	20
GENERAL BLOCK DIAGRAM OF CHASSIS AK41	21
CIRCUIT DIAGRAMS	22

DO NOT CHANGE ANY MODULE UNLESS THE SET IS SWITCH OFF

The mains supply side of the switch mode power supply transformer is live.

Use an isolating transformer.

The receivers fulfill completely the safety requirements.

Safety precautions:

Servicing of this TV should only be carried out by a qualified person.

- Components marked with the warning symbol on the circuit diagram are critical for safety and must only be replaced with an identical component.
- Power resistor and fusible resistors must be mounted in an identical manner to the original component.
- When servicing this TV, check that the EHT does not exceed 26kV.

TV Set switched off:

Make short-circuit between HV-CRT clip and CRT ground layer.

Short C804 (150mF) before changing IC802 or other components in primary side of SMPS.

Measurements:

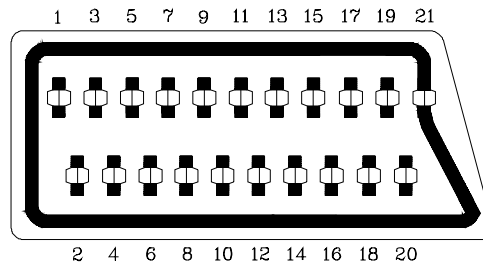
Voltage readings and oscilloscope traces are measured under following conditions.

Antenna signal 60dB from colourbar generator. (100% white, 75% colour saturation)

Brightness, contrast, colour set for a normal picture.

Mains supply, 220VAC, 50Hz.

PERI-TV SOCKET



SCART 1 (SC050)

1	Audio right output	0.5Vrms / 1K
2	Audio right input	0.5Vrms / 10K
3	Audio left output	0.5Vrms / 1K
4	Ground AF	
5	Ground Blue	
6	Audio left input	0.5Vrms / 10K
7	Blue input	0.7Vpp / 75ohm
8	AV switching input	0-12VDC / 10K
9	Ground Green	
10	-	
11	Green input	0.7Vpp / 75ohm
12	-	
13	Ground Red	
14	Ground Blanking	
15	Red input	0.7Vpp / 75ohm
16	Blanking input	0-0.4VDC, 1-3VDC / 75ohm
17	Ground CVS output	
18	Ground CVS input	
19	CVS output	1Vpp / 75ohm
20	CVS input	1Vpp / 75ohm
21	Ground	

SCART 2 (SC051)

1	Audio right output	0.5Vrms / 1K
2	Audio right input	0.5Vrms / 10K
3	Audio left output	0.5Vrms / 1K
4	Ground AF	
5	Ground Blue	
6	Audio left input	0.5Vrms / 10K
7	Blue input	0.7Vpp / 75ohm
8	AV switching input	0-12VDC / 10K
9	Ground Green	
10	-	
11	-	
12	-	
13	Ground Red	
14	Ground Blanking	
15	-	
16	-	
17	Ground CVS output	
18	Ground CVS input	
19	CVS output	1Vpp / 75ohm
20	CVS input	1Vpp / 75ohm
21	Ground	

INTRODUCTION

11Ak41 is a 100Hz flicker free colour television capable of driving 28"4:3/16:9, 33"4:3 and 29"4:3 real flat picture tubes.

The chassis is capable of operation in PAL, SECAM, NTSC (playback) colour standards and multiple transmission standards as B/G, D/K, I/I', and L/L'.

Sound system output is supplying 12W (10%THD) for left, right and center outputs of 8ohm speakers, and 2 x 7W for surround outputs of 2 x 4ohm speakers, connected in series.

TV supports the level 1.5 teletext standard. It is possible to decode transmissions including high graphical data.

The chassis is equipped with one full EuroScart, ONE OTHER SCART for AV input/output, one front-AV input, one back-AV output, one headphone output, one SVHS input (via SCART and SVHS connector), one VGA input, two external speaker outputs (left and right), one centre speaker output, and one surround speaker output for two speakers in series.

SWITCH-MODE POWER SUPPLY (TDA16846)

A SMPS transformer controlled by the IC TDA16846, which is designed for driving, controlling, and protecting switching transistor, provides the DC voltages required at various parts of the chassis. SMPS generates the necessary 3.3V and 2.5V supplies for the micro-controller, 130V supply for the FBT, +/-16V supply for the audio amplifier, which are active in stand-by and 8V, 12V and 5V supplies for other different parts of the chassis.

When the TV is switched on, a reference voltage is provided to TDA16846 and the start-up operation occurs, then TV enters into the stand-by position.

Two optocouplers are used to control the regulation of line voltage and stand-by power consumption. There are two regulation circuits, one in primary side and one in secondary side. The primary regulation circuit provides a control voltage to pin3 of the IC. Secondary regulation circuit produces a control voltage according to the changes in 130V DC voltage, via an optocoupler (SFH617A) to pin4 of the IC.

During the switch on period of the transistor, energy is stored in the transformer. During the switch off period energy is fed to the load via secondary winding. By varying switch-on time of the power transistor, it controls each portion of energy transferred to the second side such that the output voltage remains nearly independent of load variations. At the same time, the supply voltages 12V, 8V, 5V are stabilised by the series regulators.

Features:

- Line Current Consumption with PFC
- Continuous Frequency Reduction with Decreasing Load
- Stable and Adjustable Stand-by Frequency
- Very Low Start-up Current
- Soft-Start for Quiet Start-up
- Adjustable and Voltage Dependent Ringing Suppression Time
- Synchronization and Fixed Frequency Facility
- Over- and Under-voltage Lockout
- Switch Off at Mains Under-voltage
- Mains Voltage Dependent Fold Back Point Correction
- Low Power Consumption
- Free usable Fault Comparators

Pinning:

- | | |
|----------|-------------------------------------|
| 1. OTC | Off Time Circuit |
| 2. PCS | Primary Current Simulation |
| 3. RZI | Regulation and Zero Crossing Input |
| 4. SRC | Soft-Start and Regulation Capacitor |
| 5. OCI | Opto Coupler Input |
| 6. FC2 | Fault Comparator 2 |
| 7. SYN | Synchronization Input |
| 8. N. C. | Not Connected |
| 9. REF | Reference Voltage and Current |
| 10. FC1 | Fault Comparator 1 |
| 11. PVC | Primary Voltage Check |
| 12. GND | Ground |
| 13. OUT | Output |
| 14. VCC | Supply Voltage |

IF PART (TDA4470/72)

The TDA44XX is an integrated bipolar circuit for multistandard video/sound IF (VIF/SIF) signal processing in TV/VCR and multimedia applications. The circuit processes all TV video IF signals with negative modulation (e.g., B/G standard), positive modulation (e.g., L standard) and the AM, FM/NICAM sound IF signals. Active carrier generation by FPLL (frequency phase-locked loop) is the principle for true synchronous demodulation. VCO circuit is operating on picture carrier frequency, the VCO frequency is switchable for L'-mode. AFC without external reference circuit is alignment-free and polarity of the AFC curve is switchable. VIF-AGC for negative modulated signals operates on peak sync detection principle and for positive modulation on peak white / black level detection principle. Tuner AGC is adjustable with determining take over point. It has alignment-free quasi-parallel sound (QPS) mixer for FM/NICAM sound IF signals. Intercarrier output sound is gain controlled (necessary for digital sound processing). AM-demodulator is completely alignment-free with gain controlled AF output. Operation of the AM demodulator and QPS mixer (for NICAM-L stereo sound is parallel. TDA4472 is used for negative modulation and TDA4470 is used for both negative and positive modulation.

Features:

- 5V supply voltage; low power consumption
- Active carrier generation by FPLL principle (frequency-phase-locked-loop) for true synchronous demodulation
- Very linear video demodulation, good pulse response and excellent intermodulation figures
- VCO circuit is operating on picture carrier frequency, the VCO frequency is switchable for the L' mode
- Alignment-free AFC without external reference circuit, polarity of the AFC curve is switchable
- VIF-AGC for negative modulated signals (peak sync detection) and for positive modulation (peak white/black level detector).
- Tuner AGC with adjustable take over point
- Alignment-free quasi parallel sound (QPS) mixer for FM/NICAM sound IF signals
- Intercarrier output signal is gain controlled (necessary for digital sound processing)
- Complete alignment-free AM demodulator with gain controlled AF output
- Separate SIF-AGC with average detection
- Two independent SIF inputs
- Parallel operation of the AM demodulator and QPS mixer (for NICAM-L stereo sound)
- Package and relevant pinning is compatible with the single standard version TDA 4472; simplifies the design of an universal IF module

Pinning:

1. Input sensitivity, RMS value : 80mVrms
2. Input sensitivity, RMS value : 80mVrms
3. SIF Input selector switch : 2.0 V
4. Ground
5. IF gain control range : 65dB
6. Input sensitivity, RMS value : 80mVrms
7. Input sensitivity, RMS value : 80mVrms
8. IF gain control range : 65dB
9. Ground
10. Available tuner-AGC current : 2mA
11. Available tuner-AGC current : Min : 0.3V Max : 13.5V
12. Video output : Min : 1.8V Max : 2.2V
13. Standard switch : Min : 0V Max : 0.8V
14. L' switch : Min : 0V Max : 3.0V
15. IF gain control range : 65dB
16. Ground
17. Internal reference voltage
18. FPLL and VCO : Min : 1mA Max : 4mA
19. AFC switch : Min : 0V Max : 0.8V
20. FPLL and VCO : Min : 1mA Max : 4mA
21. FPLL and VCO : Min : 1mA Max : 4mA
22. AFC output : 0.7 mA/kHz
23. DC supply : Min : 4.5V Max : 9.0V
24. DC output voltage : 2V
25. AF output-AM : 2.2V
26. FPLL and VCO : Min : 1mA Max : 4mA
27. Input sensitivity, RMS value : 80mVrms
28. Input sensitivity, RMS value : 80mVrms

TUNER

The hardware and software of the TV is suitable for tuners, supplied by different companies, which are selected from the Service Menu. These tuners can be combined VHF, UHF tuners suitable for CCIR systems B/G, H, L, L', I/I', and D/K. The tuning is available through the digitally controlled I²C bus (PLL). Below you will find info on one of the Tuners in use.

General description of UV1316:

The UV1316 tuner belongs to the UV 1300 family of tuners, which are designed to meet a wide range of applications. It is a combined VHF, UHF tuner suitable for CCIR systems B/G, H, L, L', I and I'. The low IF output impedance has been designed for direct drive of a wide variety of SAW filters with sufficient suppression of triple transient.

Features of UV1316:

- Member of the UV1300 family small sized UHF/VHF tuners
- Systems CCIR: B/G, H, L, L', I and I'; OIRT: D/K
- Digitally controlled (PLL) tuning via I²C-bus
- Off-air channels, S-cable channels and Hyperband
- World standardised mechanical dimensions and world standard pinning
- Compact size
- Complies to "CENELEC EN55020" and "EN55013"

Pinning:

1. Gain control voltage (AGC) : 4.0V, Max:4.5V
2. Tuning voltage
3. I²C-bus address select : Max:5.5V
4. I²C-bus serial clock : Min:-0.3V, Max:5.5V
5. I²C-bus serial data : Min:-0.3V, Max:5.5V
6. Not connected
7. PLL supply voltage : 5.0V, Min:4.75V, Max:5.5V
8. ADC input
9. Tuner supply voltage : 33V, Min:30V, Max:35V
10. Symmetrical IF output 1
11. Symmetrical IF output 2

SAW FILTERS

K9453: Two channels switchable sound IF saw filter of BG, DK, I, L systems for input channel 2 and of L' system for input channel 1.

K3953: Two channel switchable video IF saw filter of BG, DK, I, L systems for input channel 2 and of L' system for input channel 1.

J3950: Video IF saw filter for I system

DIGITAL TV SOUND PROCESSING

MSP3410D

The MSP3410D is an I²C controlled single-chip multistandard sound processor for applications in analog and digital TV sets. The full TV sound processing, starting with analog sound IF signal-in, down to processed analog AF-out is performed in a single-chip covering all European TV-standards. It is designed to simultaneously perform digital demodulation and decoding of NICAM-coded TV stereo sound, as well as demodulation of FM-mono TV sound and two FM systems according to the German or Korean terrestrial specs. It is also possible to do AM-demodulation according to the SECAM system. There is AGC for analog inputs: 0.14 - 3Vpp. All demodulation and filtering is performed on chip and is individually programmable. All digital NICAM standards (B/G, L, and I) are realised. Only one crystal clock (18.432Mhz) is necessary. External capacitors at each crystal pin to ground are required. They are necessary for tuning the open-loop frequency of the internal PLL and for stabilising the frequency in closed-loop operation. The higher the capacitors, the lower the clock frequency result. The nominal free running frequency should match the centre of the tolerance range between 18.433 and 18.431Mhz as closely as possible. By means of standardised I²S interface, additional feature processors (DPL35xx, Dolby Prologic processor for this chassis) can be connected to the IC.

I²S bus interface consists of five pins:

- I²S_DA_IN1...2 for input four channels (two channels per line) per sampling cycle (32Khz).
- I²DA_OUT, for output, two channels per sampling cycle (32KHz).
- I²S_CL, for timing of the transmission of I²S serial data, 1.024Mhz.
- I²S_WS, for the word strobe line defining the left and right sample.

Features:

- 5-band graphic equalizer (as in MSP3400C)
- Enhanced spatial affect (pseudo stereo / base-width enlargement as in MSP3400C)
- Headphone channel with balance, bass treble, loudness
- Balance for loudspeaker and headphone channels in dB units (optional)
- Additional pair of D/A converters for SCART2 out
- Improved over-sampling filters (as in MSP 3400C)
- Additional SCART input
- Full SCART in/out matrix without restrictions
- SCART volume in dB units (optional)
- Additional I²S input (as in MSP 3400C)
- New FM-identification (as in MSP 3400C)
- Demodulator short programming
- Auto-detection for terrestrial TV-sound standards
- Precise bit-error rate indication
- Automatic switch from NICAM to FM/AM or vice versa
- Improved NICAM synchronisation algorithm
- Improved carrier mute algorithm
- Improved AM-demodulation
- ADR together with DRP 3510A
- Dolby Pro Logic together with DPL 35xx A
- Reduction of necessary controlling
- Less external components
- Significant reduction of radiation

Pinning:

- | | |
|--|---|
| 1. ADR wordstrobe | 35. Analog Shield Ground 1 |
| 2. Not connected | 36. Scart input 3 in right |
| 3. ADR data output | 37. Scart input 3 in left |
| 4. I ² S 1 data input | 38. Analog Shield Ground 4 |
| 5. I ² S data output | 39. Scart input 4 in, right |
| 6. I ² S wordstrobe | 40. Scart input 4 in, left |
| 7. I ² S clock | 41. Not connected |
| 8. I ² S data | 42. Analog reference voltage high voltage part |
| 9. I ² S clock | 43. Analog ground |
| 10. Not connected | 44. Volume capacitor MAIN |
| 11. Standby (low-active) | 45. Analog power supply 8.0V |
| 12. I ² C Bus address select | 46. Volume capacitor AUX |
| 13. Digital control output 0 | 47. Scart output 1, left |
| 14. Digital control output 1 | 48. Scart output 1, right |
| 15. Not connected | 49. Reference ground 1 high voltage part |
| 16. Not connected | 50. Scart output 2, left |
| 17. Not connected | 51. Scart output 2, right |
| 18. Audio clock output | 52. Analog Shield Ground 3 |
| 19. Not connected | 53. Not connected |
| 20. Crystal oscillator | 54. Not connected |
| 21. Crystal oscillator | 55. Not connected |
| 22. Test Pin | 56. Analog output MAIN, left |
| 23. IF input 2 (if ANA_IN1+is used only, connect | 57. Analog output MAIN, right to AVSS with 50 pF capacitor) 58. |
| 24. IF common | 58. Reference ground 2 high voltage part |
| 25. IF input 1 | 59. Analog output AUX, left |
| 26. Analog power supply +5V | 60. Analog output AUX, right |
| 27. Analog ground | 61. Power-on-reset |
| 28. Mono input | 62. Not connected |
| 29. Reference voltage IF A/D converter | 63. Not connected |
| 30. Scart input 1 in, right | 64. Not connected |
| 31. Scart input 1 in, left | 65. I ² S2-data input |
| 32. Analog Shield Ground 2 | 66. Digital ground |
| 33. Scart input 2 in, right | 67. Digital power supply +5V |
| 34. Scart input 2 in, left | 68. ADR clock |

DOLBY PRO LOGIC PROCESSOR IC**DPL3519A**

The IC DPL3519A processor family is designed to decode Dolby encoded surround sound. The IC integrate the complete Dolby Surround Pro Logic decoding on chip without any necessary external circuitry. It designed as a coprocessor of the MSP34xx family.

It gets digitised sound from the audio processor IC MSP3410D for both C (centre) and S (surround) channels, and for both L (left) and R (right) channels. The analog L and R outputs are supplied by MSP3410D, while the analog S and C outputs are supplied by the DPL33519A.

Two I²S busses obtain synchronisation between the MSP and DPL :

I²S_CL; for timing of the transmission of I²S serial data 1.024Mhz and I²S_WS; The word strobe line defining the left and right sample at 32Khz. The IC is also I²C bus controlled to select the sound feature (Stereo, 3D-Phonic and Dolby Pro Logic).

Pinning:

- | | |
|---|------------------------------|
| 1. Not connected | 16. Not connected |
| 2. Not connected | 17. Not connected |
| 3. Not connected | 18. Audio clock output |
| 4. I ² S1 data input | 19. Digital control input |
| 5. I ² S1 data output | 20. Crystal oscillator |
| 6. I ² S wordstrobe | 21. Crystal oscillator |
| 7. I ² S clock | 22. Test pin |
| 8. I ² C data | 23. Not connected |
| 9. I ² C clock | 24. Not connected |
| 10. Not connected | 25. Not connected |
| 11. Standby (low-active) | 26. Analog power supply +5 V |
| 12. I ² C-Bus address select | 27. Analog ground |
| 13. Digital control IO 0 | 28. Mono input |
| 14. Digital control IO 1 | 29. Reference voltage |
| 15. Not connected | 30. Scart input 1 in, right |

- | | |
|--|--|
| 31. Scart input 1 in, left | 50. Scart output 2, left |
| 32. Analog Shield Ground 1 | 51. Scart output 2, right |
| 33. Scart input 2 in, right | 52. Analog Shield Ground 3 |
| 34. Scart input 2 in, left | 53. Not connected |
| 35. Analog Shield Ground 2 | 54. Not connected |
| 36. Scart input 3 in, right | 55. Not connected |
| 37. Scart input 3 in, left | 56. Analog output Channel 1, left |
| 38. Analog Shield Ground 4 | 57. Analog output Channel 1, right |
| 39. Not connected | 58. Reference ground 2 high voltage part |
| 40. Not connected | 59. Analog output Channel 2, left |
| 41. Not connected | 60. Analog output Channel 2, right |
| 42. Analog reference voltage high voltage part | 61. Power-on-reset |
| 43. Analog ground | 62. Not connected |
| 44. Volume capacitor Channel1 | 63. Not connected |
| 45. Analog power supply 8.0 V | 64. I2S2-data output |
| 46. Volume capacitor Channel 2 | 65. I2S2-data input |
| 47. Scart output 1, left | 66. Digital ground |
| 48. Scart output 1, right | 67. Digital power supply +5 V |
| 49. Reference ground 1 high voltage part | 68. Not connected |

HEADPHONE OUTPUT

TDA1308

The TDA1308 is an integrated class AB stereo headphone driver. It gets its input from two analog audio outputs (DACA_L and DACA_R) of MSP3410D. The gain of the output is adjustable by the feedback resistor between the inputs and outputs.

Features:

- Wide temperature range
- No switch ON/OFF clicks
- Excellent power supply ripple rejection
- Low power consumption
- Short-circuit resistant
- High performance
 - high signal-to-noise ratio
 - high slew rate
 - low distortion
- Large output voltage swing

Pinning:

- | | |
|-----------------------------|------------------------------|
| 1. Output A (Voltage swing) | : Min : 0.75V, Max : 4.25V |
| 2. Inverting input A | : Vo(clip) : Min : 1400mVrms |
| 3. Non-inverting input A | : 2.5V |
| 4. Ground | |
| 5. Non-inverting input B | : 2.5V |
| 6. Inverting input B | : Vo(clip) : Min : 1400mVrms |
| 7. Output B (Voltage swing) | : Min : 0.75V, Max : 4.25V |
| 8. Positive supply | : 5V, Min : 3.0V, Max : 7.0V |

AUDIO OUTPUT

TDA7265

The TDA7265 is a 25W+25W stereo sound amplifier with mute/stand-by facility. STPA control signal coming from microcontroller (when it is at high level) activates the mute function. IC is muted when mute port is at low level. Two stereo audio signals coming from audio module is injected to the inputs of the IC and a power of 12W_{rms} (10%) is obtained. An external pop-noise circuitry pulls AF inputs of the IC in order to eliminate pop noise when TV is turned on or off via mains supply connection. It is possible to adjust the gain of the amplifiers by feedback external resistors.

Features:

- Wide supply voltage range (up to 50V ABS Max.)
- Split supply
- High output power: 25+25 W @ TDA = 10%, RL = 8ohm, VS = ±20V
- No pop at turn-on / off
- Mute (pop free)
- Stand-By feature (low IQ)
- Few external components
- Thermal overload protection
- Adjustable gain via an external resistor

Pinning:

1. Output (1)
2. +Vs
3. Output (2)
4. Mute / St-By
5. -Vs
6. Input (2)
7. Ground
8. Input (1)

VIDEO INPUT AND OUTPUT SOURCE SWITCHING**TEA6415C**

Video switching is performed by the I2C controlled IC TEA6415C with a gain of 0dB. Inputs to the video switch are IF_CVBS, three SCART video signals, front-AV video signal, SVHS luma signal, and one of SC1_R or SVHS_C. Outputs of the video switch are three SCART video signals (SC1_OUT_V and SC3_OUT_V are the same), one video output for the PIP module, Chroma signal (C), and luma (Y) or CVBS signal.

Features:

- 20 MHz Bandwidth
- Cascadable with another TEA6415C (Internal address can be changed by pin 7 voltage)
- 8 inputs (CVBS, RGB, Mac, CHROMA, ...)
- 6 Outputs
- Possibility of MAC or chroma signal for each input by switching-off the clamp with an external resistor bridge
- Bus controlled
- 6.5dB gain between any input and output
- -55dB crosstalk at 5MHz
- Fully ESD protected

Pinning:

- | | | | | |
|------------|---------------|-----------------------|------------|------------|
| 1. Input | : Max | : 2Vpp, Input Current | : 1mA, Max | : 3mA |
| 2. Data | : Low level | : -0.3V | Max | : 1.5V, |
| | High level | : 3.0V | Max | : Vcc+0.5V |
| 3. Input | : Max | : 2Vpp, Input Current | : 1mA, Max | : 3mA |
| 4. Clock | : Low level | : -0.3V | Max | : 1.5V, |
| | High level | : 3.0V | Max | : Vcc+0.5V |
| 5. Input | : Max | : 2Vpp, Input Current | : 1mA, Max | : 3mA |
| 6. Input | : Max | : 2Vpp, Input Current | : 1mA, Max | : 3mA |
| 7. Prog | | | | |
| 8. Input | : Max | : 2Vpp, Input Current | : 1mA, Max | : 3mA |
| 9. Vcc | : 12V | | | |
| 10. Input | : Max | : 2Vpp, Input Current | : 1mA, Max | : 3mA |
| 11. Input | : Max | : 2Vpp, Input Current | : 1mA, Max | : 3mA |
| 12. Ground | | | | |
| 13. Output | : 5.5Vpp, Min | : 4.5Vpp | | |
| 14. Output | : 5.5Vpp, Min | : 4.5Vpp | | |
| 15. Output | : 5.5Vpp, Min | : 4.5Vpp | | |
| 16. Output | : 5.5Vpp, Min | : 4.5Vpp | | |
| 17. Output | : 5.5Vpp, Min | : 4.5Vpp | | |
| 18. Output | : 5.5Vpp, Min | : 4.5Vpp | | |
| 19. Ground | | | | |
| 20. Input | : Max | : 2Vpp, Input Current | : 1mA, Max | : 3mA |

VIDEO OUTPUT AMPLIFIER STAGE**TDA6111Q**

The TDA6111Q is a video output amplifier with 16Mhz bandwidth. It has a high slew rate. Automatic black-current stabilisation is possible by black-current measurement output. It has two cathode outputs: one for DC currents and one for transient currents. A feedback output is separated from the cathode outputs. An internal protection exists against positive appearing cathode-ray-tube flashover discharges with ESD protection.

Features:

- High bandwidth and slew rate
- Black-current measurement output for Automatic Black-current Stabilisation (ABS)
- Two cathode outputs; one for DC currents, and one for transient currents
- A feedback output separated from the cathode outputs
- Internal protection against positive appearing cathode-ray Tube (CRT) flashover discharges
- ESD protection
- Simple application with a variety of colour decoders
- Differential input with a designed maximum common mode input capacitance of 3pF, a maximum differential mode input capacitance of 0.5 pF and a differential input voltage temperature drift of 50 uV/K
- Defined switch-off behaviour.

Pinning:

1. Non-inverting voltage input
2. Supply voltage LOW
3. Inverting voltage input
4. Ground, substrate
5. Black current measurement output
6. Supply voltage HIGH
7. Cathode transient voltage output
8. Cathode CD voltage output
9. Feedback voltage output

VERTICAL OUTPUT STAGE**TDA9379FA**

The IC TDA9379FA is the vertical deflection booster circuit. Two supply voltages, +12V and -12V are needed to scan the inputs VERT+ and VERT-, respectively. And a third supply voltage, +45V for the flyback limiting are needed. The vertical deflection coil is connected in series between the output and feedback to the input.

Features:

- Power Amplifier
- Thermal Protection
- Output Current up to 2.6App
- Flyback Voltage up to 90V
- External Flyback Supply

Pinning:

1. Inverting Input
2. Supply Voltage
3. Flyback Supply
4. GND or Negative Supply
5. Output
6. Output Stage Supply
7. Non-inverting Input

TVTEXT CONTROLLER**(SDA5550M)**

The SDA5550M is a single chip teletext decoder for decoding World System Teletext data as well as Video Programming System (VPS), Program Delivery Control (PDC), and Wide Screen Signalling (WSS) data used for PAL plus transmissions (Line 23). The device provides an integrated general-purpose, fully 8051-compatible Microcontroller with television specific hardware features. Microcontroller has been enhanced to provide powerful features such as memory banking, data pointers, and additional interrupts etc. The on-chip display unit for displaying Level 1.5 teletext data can also be used for customer defined on screen displays. Internal XRAM consists of up to 17 Kbytes. AK41 has the version without internal ROM. This device can support external memory up to 1Mbyte ROM and RAM. TVTEXT Controller contains a data slicer for VPS, WSS, PDC and TXT, an acceleration acquisition hardware module, a display generator for Level 1.5 TXT and powerful On screen Display capabilities based on parallel attributes, and pixel oriented characters (DRCS). The 8 bit Microcontroller operates at 360nsec cycle time (min). Controller with dedicated hardware does most of the internal TXT acquisition processing, transfer data to/from external memory interface and receives/transmits data via I²C-firmware user interface. SDA5550M is realized in 0.25 micron technology with 2.5V supply voltage and 3.3V I/O compatible.

The IC produces the following input or output control signals; AGC_CON, MODE_SW, L / L', PIP_MODS, PIP_SEL, ON/OFF (stand-by), SC1..3_IN_AV (pin 8 information from 3 SCARTs), AFC, MUTE (to mute audio output IC), I2CEN.

Features:**■ General**

- Feature selection via special function register
- Simultaneous reception of TXT, VPS, PDC and WSS (Line 23)
- Supply Voltage 2.5 and 3.3V
- P-MQFP100 Package

■ Microcontroller

- Single external 6Mhz crystal, all necessary clocks are generated internally
- CPU speed selectable via special function registers
- Normal mode 33.33 MHz CPU clock, Power Save mode 8.33MHz
- 8 bit 8051 instruction set compatible CPU
- 360 ns minimum instruction cycle

- Two 16 bit timers, Watchdog timer
- PWM unit (2 channels 14 bit, 6 channels 8 bit)
- ADC (4 channels, 8 bit), UART
- I²C interface

■ Memory

- Non-multiplexed 8-bit data and 16 (up to 20) bit address bus
- Memory banking up to 1Mbyte
- Eight 16 bit data pointer registers (DPTR)
- 256 bytes on-chip internal RAM
- 128 bytes extended stack memory
- 16 Kbytes Extended RAM for Display Memory

■ Display

- ROM character set supports all East/West European Languages
- Parallel display attributes
- Single/Double Width/Height of characters
- Variable flash rate
- Programmable screen size
- Up to 16 colours per DRCS character
- Shadowing
- Support of Progressive Scan and 100Hz
- Contrast Reduction

■ Ports

- One 8 bit I/O port with open drain output and optional I²C Bus emulation support (Port 1)
- Two 8 bit multifunction I/O ports (Port1, Port3)
- One 4 bit port operating as digital or analog inputs for ADC (Port 2)
- One 2 bit I/O port with secondary functions (P4.2, 4.3, 4.7)
- One 4 bit I/O port with secondary functions (P4.0, 4.1, 4.4)

SERIAL ACCESS 32K EEPROM (24LC32-W)

It is the 32Kbit electrically erasable programmable memory. The memory is compatible with the I2C standard, two wire serial interface, which uses a bi-directional data bus and serial clock.

Features:

- Single supply with 3.3V (operation down to 2.5V)
- Compatible with I2C extended addressing
- 2-wire I2C serial interface supports 100kHz protocol
- Self-timed ERASE and WRITE cycles
- Power on/off data protection circuitry
- Hardware write protect
- 1,000,000 Erase/Write cycles guaranteed
- 32-byte page or byte writes modes available
- Schmidt trigger filtered inputs for noise suppression
- Output slope control to eliminate ground bounce
- 2 ms typical write cycle time, byte or page
- Electrostatic discharge protection > 4000V
- Data retention > 200 years
- 8-pin PDIP and SOIC packages

Pinning:

1. E0 User Configurable Chip Select
2. E1 User Configurable Chip Select
3. E2 User Configurable Chip Select
4. Vss Ground
5. SDA Serial Address/Data I/O
6. SCL Serial Clock
7. WC Write Protect Input
8. Vcc +2.5V to 6.0V Power Supply

EPROM (M27W401)

The M27W401 is a low voltage 4Mbit EPROM (UV erasable). It is ideally suited for micro processor systems requiring large data or program storage and is organised as 522,288 by 8 bits. The M27W401 operates in the read mode with a supply voltage as low as 2.7V at -40 to 85°C temperature range.

Features:

- Organisation 512K x 8
- Single 3.3V power supply
- Operationally Compatible with Existing Megabit EPROMs
- Industry Standard 32-pin Dual-in-line Package
- All inputs/Outputs Fully TTL Compatible
- 8-Bit Output for Use in Microprocessor-Based Systems
- Power Saving CMOS Technology
- 3-State Output Buffers
- 400 mV Minimum DC Noise Immunity with Standard TTL Loads
- Latch up immunity of 250mA on all input and output pins
- No pull-up resistors required
- Low power dissipation

100Hz FEATURE BOX

VPC3215, CIP3250, SDA9400, DDP3310

The feature box consists of four I²C controlled ICs:

Video Processor VPC3215
Component Interface Processor CIP3250
Digital Image Processor SDA9400
Digital Deflection Processor DDP3310

The input supplies to the feature box are +12V, +5V. The ICs do also need a supply of 3.3V, which is regulated by IC4 LM314.

Besides the composite video in normal operation and luma/chroma inputs in the SVHS applications, there are also R-G-B-FB inputs from the PIP module.

OSD R-G-B-FB inputs from the Megatext IC or from the controller in the case of TV-text option. While the 50Hz sync signals for PIP are supplied by the VPC3215, the 100Hz sync signals for OSD are supplied by the DDP3310.

Control signals for HV stage such as VertQ, Vert, HDrive, EW (East-West) and SVM (Scan Velocity Modulation) are produced by this module. VProt and HProt input signals are used for protection. There are also a flyback sample signal from HV stage and the sense signal from the CRT board.

The feature box also supports the VGA mode.

VPC32X5 (Video Processor)

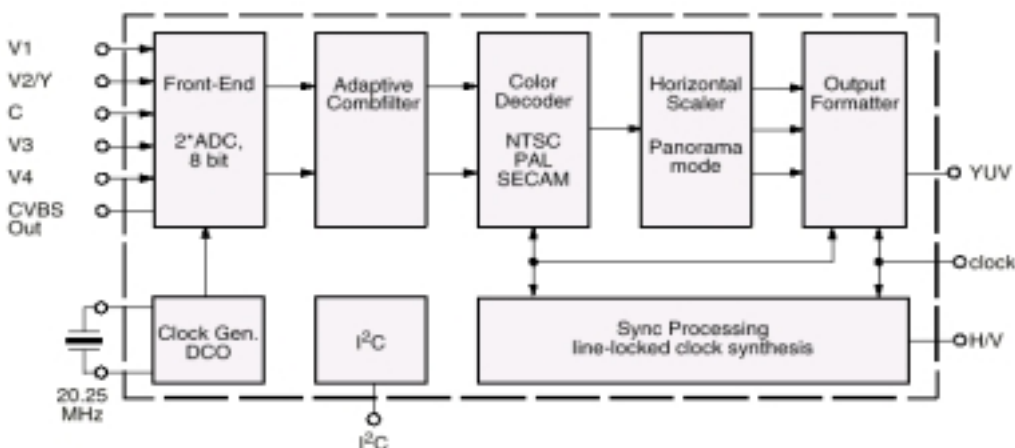


Figure 1

As seen in figure 1 all the processings in VPC are digital. This IC has four composite, one SVHS input, and one composite output which is used for teletext. In AK28 the main video input is Vin2, which is also used for luma input in SVHS applications.

After switching the inputs the signals are converted to digital via two 8 bit ADCs. And these digital data are processed to produce the 4:2:2 formatted digital YUV signals. The main features are, multi-standard color decoding including all sub-standards, multi-standard sync processing, adaptive 4H comb filter, linear horizontal scaling, as well as nonlinear horizontal scaling (panorama vision.) It provides 50Hz vertical and 15625Hz horizontal sync signals for the PIP module.

Features:

- all-digital video processing
- high-performance adaptive 4H comb filter Y/C separator with adjustable vertical peaking
- multi-standard color decoder PAL/NTSC/SECAM including all substandards
- 4 composite, 1 S-VHS input, 1 composite output
- integrated high-quality A/D converters and associated clamp and AGC circuits
- multi-standard sync processing
- linear horizontal scaling (0.25 ... 4), as well as non-linear horizontal scaling 'panorama vision'
- PAL+ preprocessing (VPC 3215)
- line-locked clock, data and sync output (VPC 3215)
- display/deflection control (VPC 3205)
- submicron CMOS technology
- I²C-Bus Interface
- one 20.25 MHz crystal, few external components
- 68-pin PLCC package

Pinning:

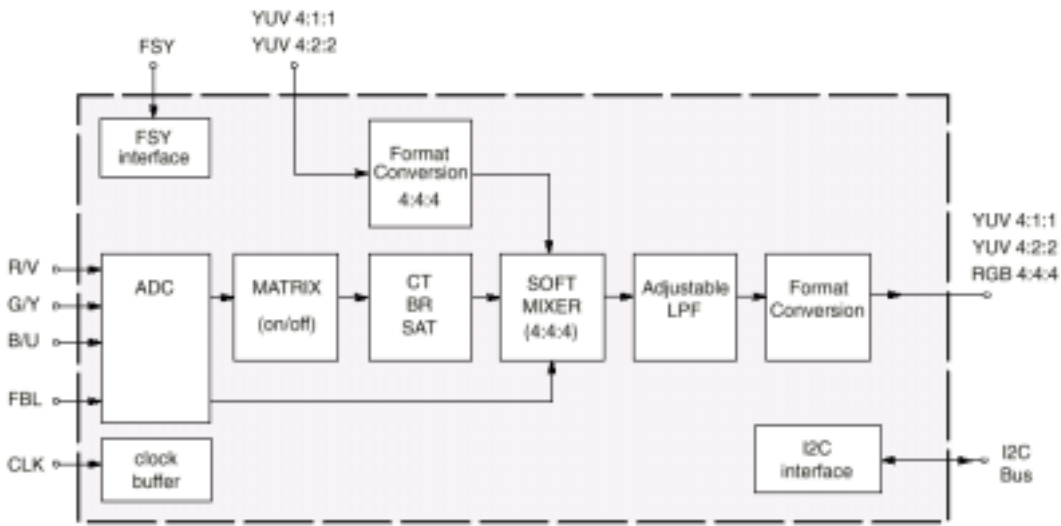
1	Ground	35.	Ground
2	Ground	36.	Supply Voltage
3	5 MHz Clock Out	38...47.	Picture Bus Chroma
4	Standby Supply Volt	48...50.	Picture Bus Priority
5	Analog Crystal Out	51.	Ground
6	Analog Crystal In	52.	VGA Input
7	Ground	53.	Front-End/ Back-End Data
9	Ground	54.	Reset Input, Active Low
10	Interlace Out	55.	I ² C Bus Data
12	Vertical Sync Pulse	56.	I ² C Bus Clock
13	Front Sync Pulse	57.	Test Pin, connect to GND
14	Main Sync/Horiz Sync Pulse	58.	Video 4 Analog Input
15	Helper Line Output	59.	Ground
16.	Horz Clamp Pulse	60.	Video 3 Analog Input
17.	Active Video Out	61.	Video 2 Analog Input
18.	Double Output Clock	62.	Video 1 Analog Input
19.	Output Clock	63.	Chroma/ Video 4 Analog Input
20...29.	Picture Bus Luma	64.	Analog Video Output
26.	Ground	65.	Analog Shield GND F
27.	Not Connected	66.	Supply Voltage, Analog Front-End
30.	Main Clock Output 20.25 MHz	67.	Signal Ground for Analog Input
31.	Supply Volt	68.	Reference Voltage Top, Analog
34.	Ground		

CIP3250:

The IC is used to interface the analog input, which is output from the PIP module (SCART RGB or PIP RGB). As can be seen from the block diagram, there is a CT-BR-SAT block, which is used for luma contrast, brightness, hue, and color saturation correction. The soft mixer is controlled by the fast blank signal.

Features:

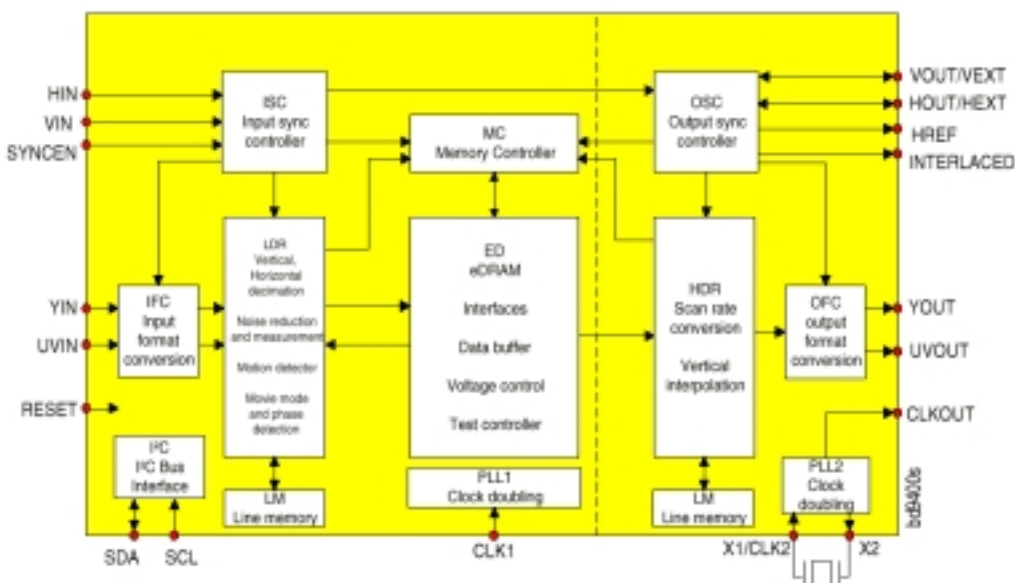
- analog input for RGB or YUV and Fast Blank
- triple 8 bit analog to digital converters for RGB/YUV with internal programmable clamping
- single 6 bit analog to digital converter for Fast Blank signal
- digital matrix RGB % YUV (Y, B-Y, R-Y)
- luma contrast and brightness correction for signals from analog input
- color saturation and hue correction for signals from analog input
- digital input for DIGIT 2000 or DIGIT 3000 formats
- digital interpolation to 4:4:4 format
- high quality soft mixer controlled by Fast Blank signal
- programmable delays to match digital YUVin and ana-log RGB/YUV
- variable low pass filters for YUV output
- digital output in DIGIT 2000 and DIGIT 3000 formats, as well as RGB 4:4:4
- I²C bus interface
- clock frequency 13.5... 20.25 MHz



Pinning:

- | | |
|------------------------------------|------------------------------------|
| 1. Standby connect to ground | 54. Main Clock Input |
| 2...9. Blue Output | 55. Reset Input |
| 10...17. Green/Luma Output | 56. In Test Mode connect to ground |
| 18. Pad Ground | 57. Analog Supply Voltage +5 V |
| 19. Pad Supply Voltage +5 V/+3.3 V | 58. Analog Ground |
| 20...27. Red/Chroma Output | 59. Reference External Capacitor |
| 28. Active Video Output | 60. Substrate connect to ground |
| 29. Active Video Input | 61. Fast Blank Input |
| 30. Front Sync Input | 62. Ground Fast Blank |
| 31. I2C Clock Input/Output | 63. Blue/U Input |
| 32. I2C Data Input/Output | 64. Ground Blue/U |
| 33...35. Picture Bus Priority | 65. Green/Luma Input |
| 36...43. Chroma Input | 66. Ground Green/Luma |
| 44...51. Luma Input | 67. Red/V Input |
| 52. Digital Ground | 68. Ground Red/V |
| 53. Digital Supply Voltage +5 V | |

SDA9400:



SDA9400 converts the scan rate from 50/60 Hz to 100/120 Hz

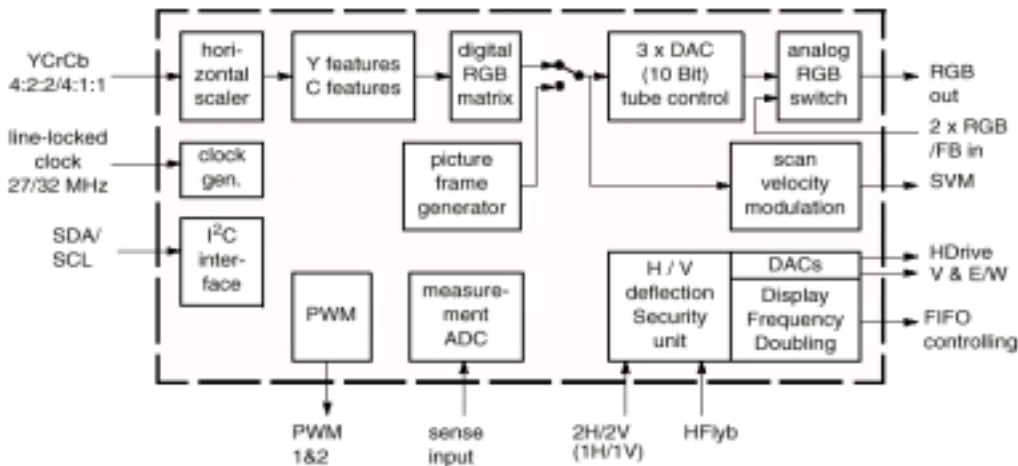
Features:

- **Two input data formats**
 - 4:2:2 luminance and chrominance parallel (2 x 8 wires)
 - ITU-R 656 data format (8 wires)
- **Two different representations of input chrominance data**
 - 2's complement code
 - Positive dual code
- **Flexible input sync controller**
- **Flexible compression of the input signal**
 - Digital vertical compression of the input signal (1.0, 1.25, 1.5, 1.75, 2.0, 3.0, 4.0)
 - Digital horizontal compression of the input signal (1.0, 2.0, 4.0)
- **Noise reduction**
 - Motion adaptive spatial and temporal noise reduction (3D-NR)
 - Temporal noise reduction for luminance frame based or field based
 - Temporal noise reduction for chrominance field based
 - Separate motion detectors for luminance and chrominance
 - Flexible programming of the temporal noise reduction parameters
 - Automatic measurement of the noise level (5 bit value, readable by I²C bus)
- **3-D motion detection**
 - High performance motion detector for scan rate conversion
 - Global motion detection flag (readable by I²C bus)
 - Movie mode and phase detector (readable by I²C bus)
- **TV mode detection by counting line numbers (PAL, NTSC, readable by I²C bus)**
- **Embedded memory**
 - 5 Mbit embedded DRAM core for field memories
 - 192 kbit embedded DRAM core for line memories
- **Flexible clock and synchronization concept**
 - Decoupling of the input and output clock system possible
- **Scan rate conversion**
 - Motion adaptive 100/120 Hz interlaced scan conversion
 - Motion adaptive 50/60 Hz progressive scan conversion
 - Simple static interlaced and progressive conversion modes for 100/120 Hz interlaced or 50/60 Hz progressive scan conversion : e.g. ABAB, AABB, AA*B*B, AAAA, BBBB, AB, AA*
 - Simple progressive scan conversion with joint lines:
 - 50 Hz -> 60, 70, 75 Hz progressive
 - 60 Hz -> 70, 75 Hz progressive
 - Large area and line flicker reduction
- **Flexible digital vertical expansion of the output signal (1.0, ... [1/32] ... , 2.0)**
- **Flexible output sync controller**
 - Flexible positioning of the output signal
 - Flexible programming of the output sync raster
 - External synchronization by backend IC possible
(e.g. split screen for one TV channel with joint lines and one PC VGA channel)
- **Signal manipulations**
 - Insertion of coloured background
 - Vertical and/or horizontal windowing with four different speed factors
 - Flash generation (for supervising applications, motion flag readable by I²C bus)
 - Still frame or field
 - Support of split screen applications
 - Multiple picture display - Tuner scan (4 and 16 times for 4:3, 12 times for 16:9 tubes)
 - Support of multi picture display with PIP or front-end processor with integrated scaler
(e.g. 9 times display of PIP pictures, picture tracking, random pictures, still-in-moving picture, moving-in-still picture)
- **I²C-bus control (400 kHz)**
- **3.3 V ± 5% supply voltage**

Pinning:

2,8,24,42,55	Supply volt (VSS=0V)	54.	System clock 1
9,25,41,56	Supply volt (VDD=3.3V)	17,...,10	Data output UV
36,52,58	Supply volt (VSS=0V)	7,...,3;1;64;63	Data output Y
35,51,53,57,59	Supply volt (VDD=3.3V)	62	Horz active video out
43,...,50	Data input Y	61	V-Sync out / Ext V-Sync
31,...,34;37,...,40	Data input UV	60	H-Sync out / Ext H-Sync
30	System reset.	18	Interlace signal vert deflection
23	H-Sync input	28	Crystal conn / System clock 2
22	V-Sync input	27	Crystal connection
29	Sync enable input	26	Clock output
21	I2C-Bus data line	19	Test input
20	I2C-Bus clock line		

DDP3310:



It is the display and deflection processor. All the horizontal and vertical stages are driven by this IC. The last controls such as contrast, brightness and saturation of the actual video signal, OSD and VGA are accomplished by the blocks in DDP. Tube measurement and SVM controls are also managed by this IC.

Features:

Video processing

- linear horizontal scaling (0.25 ... 4)
- non-linear horizontal scaling “panoramavision”
- dynamic peaking
- soft limiter (gamma correction)
- color transient improvement
- programmable RGB matrix
- picture frame generator
- two analog RGB/Fast-Blank inputs

Deflection processing

- scan velocity modulation output
- high-performance H/V deflection
- EHT compensation for vertical / East/West
- soft start/stop of H-Drive
- vertical angle and bow
- differential vertical output
- vertical zoom via deflection
- horizontal and vertical protection circuit
- adjustable horizontal frequency for VGA/SVGA display

Miscellaneous

- selectable 4:1:1/ 4:2:2 YC r C b input
- selectable 27/ 32-MHz line-locked clock input
- crystal oscillator for horizontal protection
- automatic picture tube adjustment (cutoff, white-drive)
- single 5-V power supply

- hardware for simple 50/60-Hz to 100/ 120-Hz con-version (display frequency doubling)
- two I²C-controlled PWM outputs
- beam current limiter

Pinning:

- | | |
|------------------------------------|---|
| 1. Supply Voltage | 28. Sup Volt, Analog Back-end |
| 2. Gnd, Output Pin Driver | 29. VRD/BCS DAC Ref, Beam Current Safety |
| 3. Additional VSYNC input | 30. Fast-Blank1 Input |
| 4. Read counter Reset | 31. Analog Red1 Input |
| 5. FIFO Read Enable | 32. Analog Green1 Input |
| 6. FIFO Write Enable | 33. Analog Blue1 Input |
| 7. FIFO Write counter Reset | 34. Fast-Blank2 Input |
| 8. Horz. Drive Output | 35. Analog Red2 Input |
| 9. Horz. Flyback Input | 36. Analog Green2 Input |
| 10. Safety Input | 37. Analog Blue2 Input |
| 11. Vertical Protection Input | 38. Test Pin |
| 12. Select of H-Drv Freq. Range | 39. Reset Input, active low |
| 13. Clock Sel 40.5 or 27/32MHz | 40. PWM out |
| 14. Clock select 27/32 MHz | 41. PWM out |
| 15. Range Switch2, Measure ADC | 42. Half-Contrast |
| 16. Range Switch1, Measure ADC | 43...50. Picture Bus Chroma |
| 17. Sense ADC Input | 51. Supply Volt, Digital Circuitry |
| 18. Ground, MADC Input | 52. Ground, Digital Circuitry |
| 19. Differential Vert Sawtooth Out | 53. Sys. Clock Input(27/32/40.5MHz) |
| 20. Differential Vert Sawtooth Out | 54...61. Y0 Picture Bus Luma |
| 21. E/W Output | 62. Single LLC Input(13.5/16MHz) |
| 22. Reference Input for RGB DACs | 63. Horizontal Sync Input |
| 23. Scan Velocity Modulation | 64. Vertical Sync Input |
| 24. Analog Output Red | 65. Analog Crystal Out (5-MHz Security Clock) |
| 25. Analog Output Green | 66. Analog Crystal In (5-MHz Security Clock) |
| 26. Analog Output Blue | 67. I ² C-Bus Data |
| 27. Ground, Analog Back-end | 68. I ² C-Bus Clock |

AK41 CHASSIS MANUAL ADJUSTMENTS PROCEDURE

A) PRELIMINARY

Before starting with the alignment procedure, make sure that all the potentiometers on the chassis and also screen and focus pots are in the medium position.

B) SYSTEM VOLTAGE ADJUSTMENT

- Inputs*
- AC power (220V 50 Hz).
 - PAL B/G test pattern via RF
(PAL I test pattern for PAL I TV's, SECAM D/K pattern, SECAM L/L 'K' TV's).
- Outputs*
- Digital voltmeter to anode of D110.
- Display*
- System voltage
- Action*
- Apply power. Check that The stand-by led lights.
 - Select TV mode and tune to the applied test pattern via local test keyboard.
Chassis should start normally.
 - Adjust all analogue controls (volume, bass, treble, brightness, contrast, colour) to minimum settings.
 - Adjust VR127 according to the following different types of CRT's

SYSTEM VOLTAGE

135V±0.5V

135V±0.5V

135V±0.5V

135V±0.5V

TYPE OF CRT

PHILIPS A66EAK552X54

PHILIPS A66EAK071X54

VIDEOCOLOR A66ECY13X12

PHILIPS W66ESF002X44

C) AFC ADJUSTMENT

- Inputs*
- AC power.
 - 38.9 MHz test pattern for PAL B/G, PAL-SECAM B/G or 39.5 MHz test pattern for PAL I model (90dBmV) to Z403 SAW filter input terminals 1 and 2.
- Outputs*
- Digital Voltmeter to AFC point (pin22 of IC401)
- Display*
- AFC Voltage.
- Action*
- Adjust VL401 for 2.5±0.1 Volts. TV should automatically tune to a station when search tuning is activated.

D) FOCUS ADJUSTMENT

- Inputs*
- AC power
 - PAL B/G test pattern via RF input.
- Outputs*
- Picture tube drive.
- Display*
- Picture
- Action*
- Select TV mode and tune to the signal.
 - Adjust focus potentiometer (the upper pot on the rear side of the FBT transformer) for optimum focusing drive.

E) SCREEN ADJUSTMENT

- Inputs*
- AC power
 - PAL B/G Colour Bar test pattern via RF
- Outputs*
- 1/100 Oscilloscope probe to RGB cathodes on CRT baseboard.
NOTE: Ground pin of probe will be connected to 1st pin (GND) of the CRT socket.
- Display*
- RGB ratio
- Action*
- Select PAL B/G Colour Bar pattern using the local test keyboard and the user remote control unit.
 - Adjust all control functions (brightness, colour and contrast) to minimum settings.
 - Measure the most sensitive cathode
 - Adjust the screen potentiometer (lower pot on the rear side of FBT transformer) until cathode voltage becomes 150V.

F) IF ADJUSTMENT FOR L' MODE

- Inputs*
- AC power.
 - 38.9 MHz test pattern for PAL B/G, PAL-SECAM B/G or 39.5 MHz test pattern for PAL I model. (90dBmV) to Z403 SAW filter input terminals 1 and 2.
- Outputs*
- Digital Voltmeter to AFC point. (pin22 of IC401)
 - Digital Voltmeter to AFC_L point. (pin14 of IC401)
- Display*
- AFC Voltage.
- Action*
- Firstly adjust VL401 for 2.5 ± 0.1 Volts. TV should automatically tune to a station. when search tuning is activated.
 - Adjust VR401 for 2.5±0.1 Volts at the AFC_L point.

AK41 CHASSIS PRODUCTION MODE ADJUSTMENTS PROCEDURE

A) PRELIMINARY

All system, geometry and white balance alignments are performed in production service mode. Before starting the production mode alignments, make sure that all manual alignments are done correctly. To start production mode alignments enter the MAIN MENU and enter the code **1675** by pressing digit keys. Production mode items will appear on the screen. Production mode groups will be displayed with different colours of headlines, so in order to access a production alignment group press the colour key of the related group on the remote control transmitter. After selecting one of the production service mode groups, you can access its items by pressing the cursor-up and/or cursor-down keys. You can change the value of an item by pressing cursor-left and/or cursor-right keys on the remote control transmitter.

In order to switch between other group of items press the colour key of this groups headline.

To store the settings press OK key. In order to leave this menu press MENU key.

B) HORIZONTAL AND VERTICAL GEOMETRY ALIGNMENTS

- Switch the program to crosshatch test pattern.
- Press RED key to access this group of item.
- Select the items by pressing cursor-up and/or cursor-down keys.
- Adjust the item by pressing cursor-left and/or cursor-right after selecting that item.
- Store the settings by pressing OK key.
- Switch to another item group by pressing the colour keys of the related coloured headline of that group.
- Exit production mode by pressing the MENU key on the remote transmitter..

1) V-SHIFT

- Press cursor-left and/or cursor-right buttons till the test pattern is vertically centred, i.e. horizontal line at the centre of the test pattern is in equal distance both to upper and lower side of the picture tube. Check and readjust V-SHIFT item if the adjustment becomes improper after some other geometric adjustments are done

2) V-SIZE

- Press cursor-left and/or cursor-right buttons till horizontal black lines on both the upper and lower part of the test pattern become very close to the upper and lower horizontal sides of picture tube and nearly about to disappear. Check and readjust V-SIZE item if the adjustment becomes improper after some other geometric adjustments are done.

3) H-SHIFT

- Adjust H-SHIFT item by pressing cursor-left and/or cursor-right buttons till test pattern is horizontally in equal distance both to right and left sides of the picture tube. Check and readjust H-SHIFT item if the adjustment becomes improper after some other geometric adjustments are done.

4) H-SIZE

- Adjust H-WIDTH item by pressing cursor-left and/or cursor-right buttons till no under-scan condition will happen, i.e. no white bars on the left and right side of the test pattern will be visible nor the picture will be so wide. Check and readjust H-WIDTH item if the adjustment becomes improper after some other geometric adjustments are done.

5) S-COR

- Press cursor-left and/or cursor-right buttons till the size of squares on both the upper and lower part of test pattern become equal to the squares laying on the vertical centre of the test pattern. Check and readjust S-COR item if the adjustment becomes improper after some other geometric adjustments are done.

6) LINRT

- Press cursor-left and/or cursor-right buttons till all the size of squares of the test pattern become in equal size from the top of the screen to its bottom of the whole screen. Check and readjust LINRT item if the adjustment becomes improper after some other geometric adjustments (especially after than S-COR adjustment are done).

7) ANGLE

- Press cursor-left and/or cursor-right buttons till the vertical lines of the crosshatch pattern become completely perpendicular to horizontal lines without any angle of vertical deviation. Check and readjust ANGLE item if the adjustment becomes improper after some other geometric adjustments are done.

8) BOW

- Press cursor-left and/or cursor-right buttons till the vertical lines especially ones close to the left and right sides will of equal and symmetrical bending, i.e. they together will neither be towards left side nor right side. Check and readjust BOW item if the adjustment becomes improper after some other geometric adjustments are done.

9) TRPEZ

- Press cursor-left and/or cursor-right buttons till vertical lines, especially lines at the sides of the picture frame became parallel to the both sides of picture tube as close as possible. Check and readjust TRPEZ item if the adjustment becomes improper after some other geometric adjustments are done.

10) PARAB

- Press cursor-left and/or cursor-right buttons till vertical lines close to the both sides of the picture frame become parallel to vertical sides of picture tube without any bending to left or to right side of the screen.. Check and readjust PARAB item if the adjustment becomes improper after some other geometric adjustments are done.

11) U. COR

- Press cursor-left and/or cursor-right buttons till vertical lines at the upper corners of the picture frame become vertical and parallel to vertical corner sides of picture tube. Check and readjust U. COR item if the adjustment becomes improper after some other geometric adjustments are done.

12) L. COR

- Press cursor-left and/or cursor-right buttons till vertical lines at the lower corners of the picture frame become vertical and parallel to vertical corner sides of picture tube. Check and readjust L. COR item if the adjustment becomes improper after some other geometric adjustments are done.

C) VIDEO ALIGNMENTS

- Switch the program to crosshatch test pattern for geometric adjustments.
- Switch the program to colour bar test pattern for video adjustments.
- Press GREEN key to access this group of item.
- Select the items by pressing cursor-up and/or cursor-down keys.
- Adjust the item by pressing cursor-left and/or cursor-right after selecting that item.
- Store the settings by pressing OK key.
- Switch to another item group by pressing the colour keys of the related coloured headline of that group.
- Exit production mode by pressing the MENU key on the remote transmitter..

1) RGn, GGn, BGn: WHITE BALANCE ADJUSTMENT

- Apply WHITE test pattern via RF.

Adjust all analogue functions to medium level and set GGn, RGn, BGn at value 80, if needed.

Use Colour analyser and monitor the colour temperature (X, Y) on colour analyser.

Select RGn and BGn by cursor-up and/or cursor-down buttons and change the values by cursor-left and/or cursor-right buttons till the following values are read:

X=285±10

Y=293±10 on the colour analyser.

2) RRf, GRf, BRf

Set the values of these items as 62 (constant).

3) YDF

Apply COLOUR BAR test pattern.

Select YDF item cursor-up and/or cursor-down buttons.

Adjust YDF by pressing cursor-left and/or cursor-right buttons till the colour transients on the colour bar pattern becomes as sharper and possible as colours between transients do not mix with each other. Check and readjust YDF item if the adjustment becomes improper after YDV adjustment is done.

4) AGC

Apply PAL BG signal, VHF-3 Channel-12 and 60dBmV RF signal level.

Adjust AGC item till voltage at the AGC point (pin1 of the tuner) becomes 3.0 volts.

5) TLAN

This item and its settings will be defined later.

6) APS

This value of this item toggles between ON and OFF while pressing the cursor-left and cursor-right after this item is selected by cursor-up and/or cursor-down buttons.

In order to activate APS installation procedure whenever TV is turned select ON for the very first time.

In order to start TV without APS installation procedure select OFF.

7) T_T

This item is used for the Tuner Selection.

SAM, THO, SIE, ALP, MK2 and MK3 are for Samsung, Thomson, Siemens, Alps and Philips MP2/MP3, respectively.

8) T_P

This item is used for the Tuner Selection.

SAM, THO, TEM, and MK2 are for Samsung, Thomson, Temic, and Philips, respectively.

9) EXT3

This item is toggles between ON and OFF and is used to enable and disable EXT3, respectively.

10) CLT

This item is used to set the Menu colors. 5 choices are possible.

D) SERVICE ALIGNMENTS

IMPORTANT: There will no adjustments in this service mode during production mode alignments.

- Press BLUE key on the remote transmitter when Production mode is active.
- Press the colour key of the related item group's headline colour
- Press cursor-up and/or cursor-down to select the item of the group
- Press cursor-left and/or cursor-right to alter the value of the item.
- Press OK to store the values of items and MENU to exit the service alignments mode.

1) ADJUSTMENTS GROUP

Press RED key on the remote transmitter in order to access this group of items.

- PIP CNTRST , level of the PIP picture
- PIP YDelay , luma delay of the PIP picture
- PIP Frame , color selection of the PIP frame. (edges of the PIP)
- EHTHP , EHT compensation coefficient for horizontal phase
- EHTH TC , EHT time constant for horizontal phase compensation
- EHTH , EHT compensation coefficient for horizontal amplitude
- EHTV , EHT compensation coefficient for vertical amplitude
- EHTV TC , time constant for control of vertical and horizontal amplitude EHT compensation. (0 means off.)
- OSD LEVEL , contrast level of the OSD
- INIT NVM , to initiate the NVM

2) OPTIONS GROUP

- Press BLUE key on the remote transmitter in order to access this group of items.

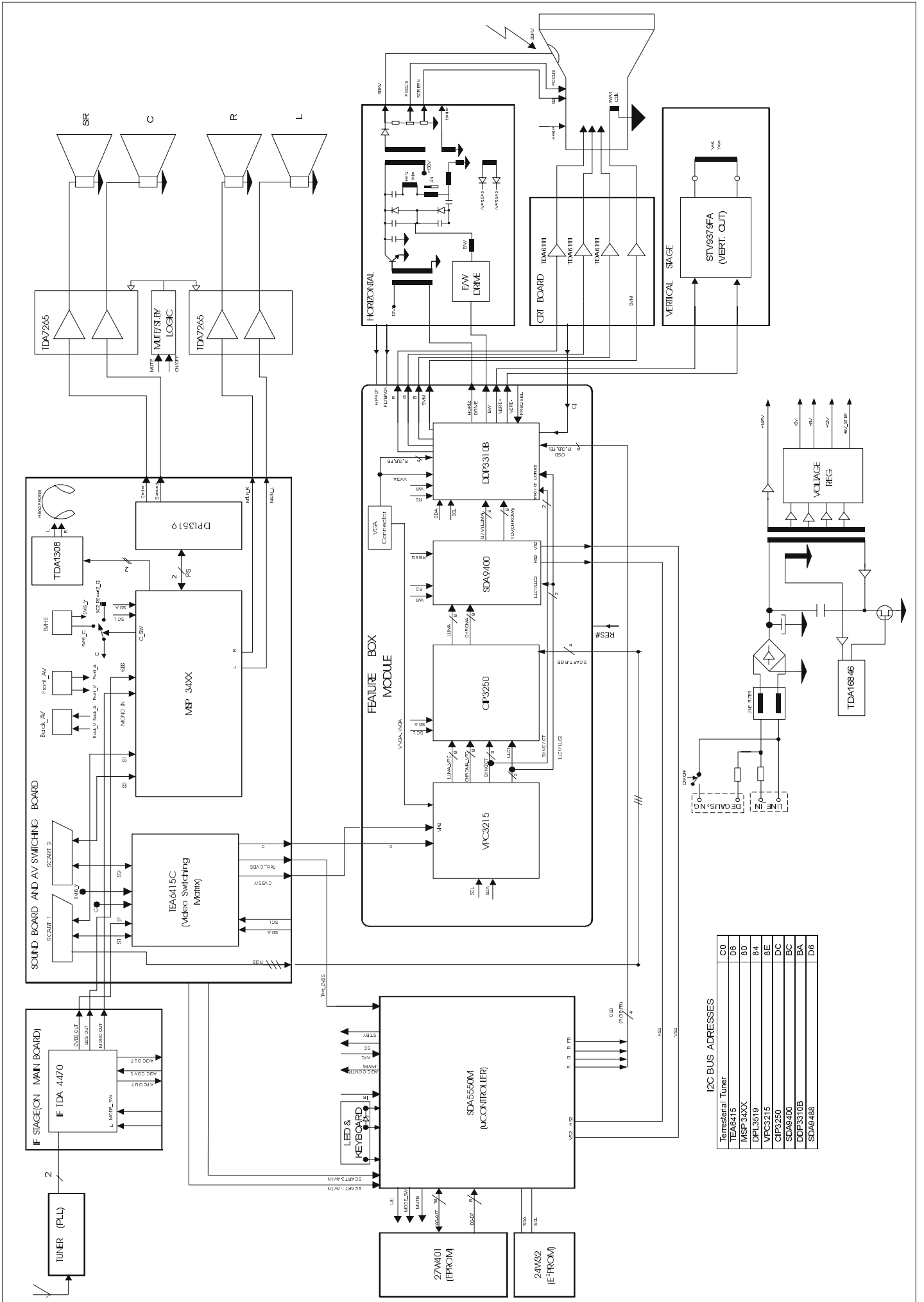
- 0. HPHONE , on / off
- 1. CRT , 4:3 / 16:9
- 2. S-VHS , on / off
- 3. f(IF) , always set to 38.9
- 4. Türk. , turkish menu on/off
- 5. VGA , on / off
- 6. FRONT , FrontAV on/off

3) SYSTEM GROUP

- Press YELLOW key on the remote transmitter in order to access this group of items.

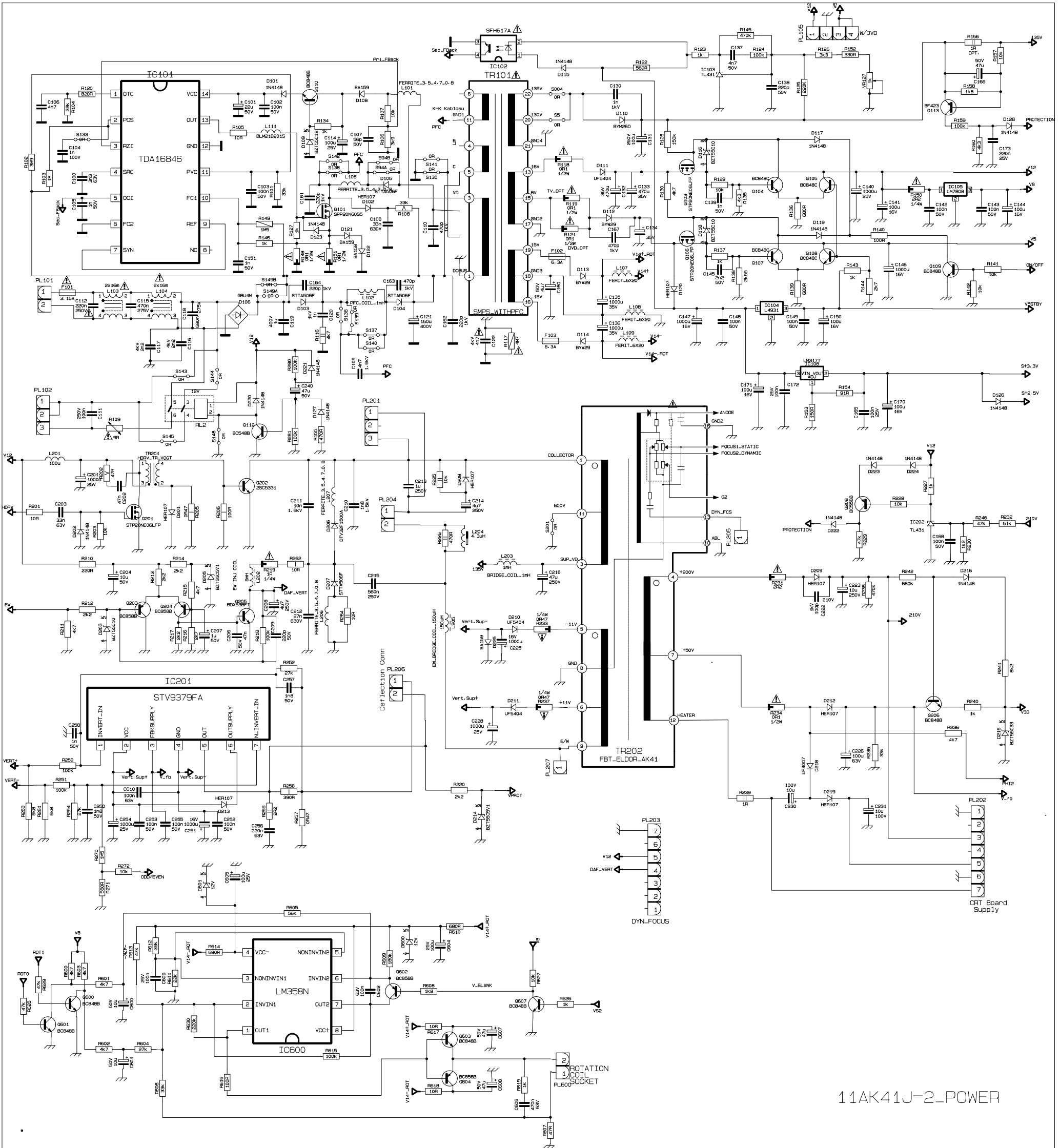
- 0. PAL B/G , on / off
- 1. PAL D/K , on / off
- 2. PAL I , on / off
- 3. SECAM B/G , on / off
- 4. SECAM D/K , on / off
- 5. SECAM L/L' , on / off
- 6. AUST. , on / off

GENERAL BLOCK DIAGRAM OF CHASSIS AK41

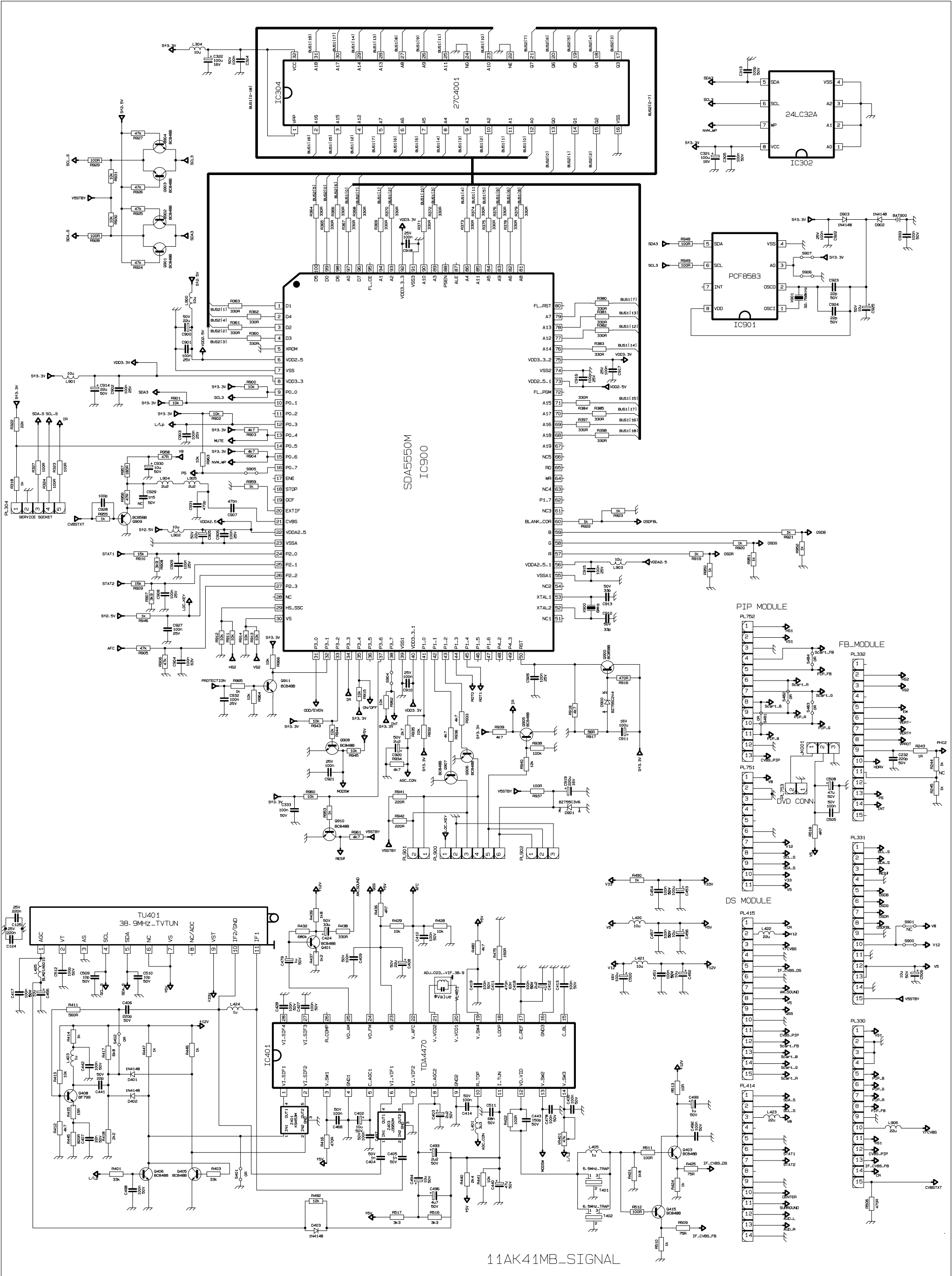


I2C BUS ADDRESSES

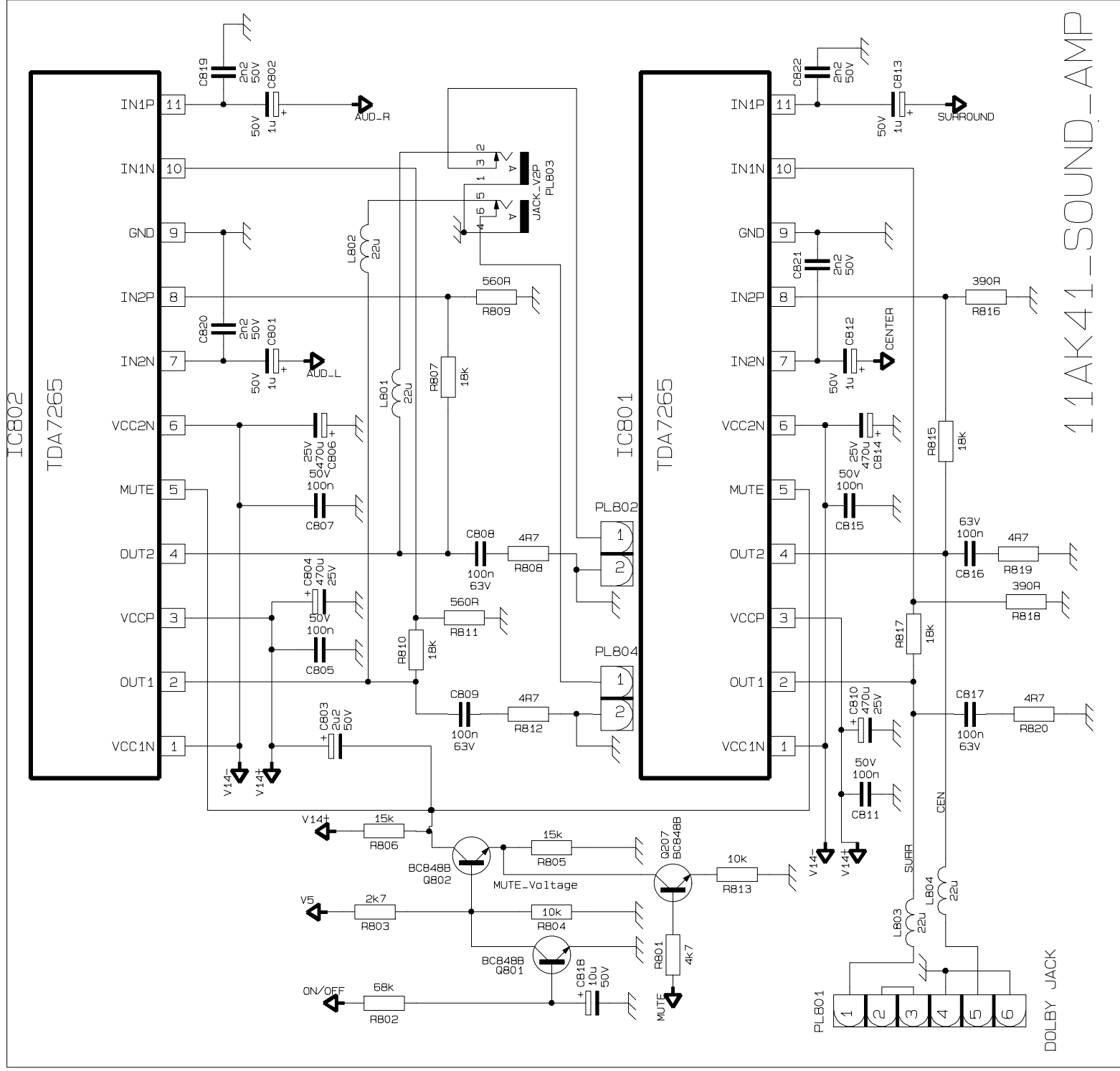
Terrestrial Tuner	CO
TEA6415	06
MSP 34XX	80
DP1319	84
VPC3215	8E
CF3250	DC
SDA9400	BC
DDP3310B	BA
SDA9488	D6



11AK41J-2-POWER



11AK41MB_SIGNAL



11AK41-SOUND-AMP

DOLBY JACK